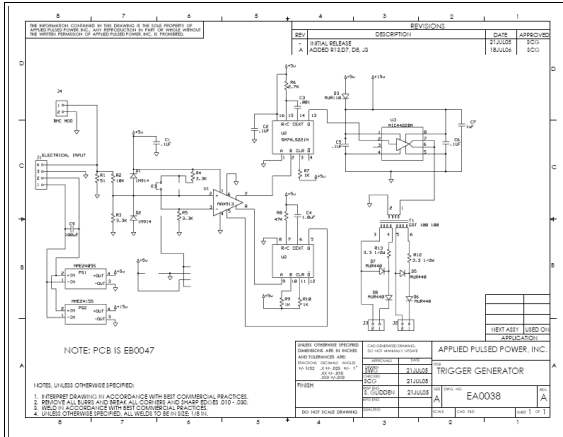




Applied Pulsed Power, Inc.™

2025 Dryden Road
P.O. Box 348
Freeville, NY 13068

Phone: 607-844-3426
Fax: 607-844-3428
www.appliedpulsedpower.com



Model EA0038A Solid State Switch Trigger Circuit

The Model EA0038A is designed to provide two parallel isolated outputs of 5A suitable for triggering our line of solid state switches, such as the Models S25, S33, S34, and S38. There are multiple trigger and power input options.

This trigger circuit consists of a discriminator section, a driver section, and an isolation section. The discriminator section limits the effects of external electronic noise and also limits the pulse frequency to 200Hz. The driver section can provide up to 14A at 15V. The isolation section provides two parallel isolated outputs and can be used in series to get 5A at 30V or in parallel to get 10A at 15V.

Options

Power Input 1	<ul style="list-style-type: none"> ● 24VDC (default) ● 12VDC ● 15VDC
Trigger Input	<ul style="list-style-type: none"> ● TTL via BNC (default) ● Fiber Optic (HFBR2521 Receiver) ● Other Electrical Trigger Signal via BNC or 4 Pin Molex
Trigger Output	<ul style="list-style-type: none"> ● Dual Parallel, Isolated, with 3.3Ω (default) ● Series Connected, Isolated, with 3.3Ω ● Dual Parallel, no Isolation, with 3.3Ω ● Single, no Isolation

Note 1: External Power Supply Must Be Regulated

APP also provides a variety of solid state switch products and complete pulsed power systems. Contact sales@appliedpulsedpower.com for information.